



LG COMMERCIAL LAUNDRY

EMERGENCY BUTTON

TOP-MOUNTED DISPENSER

AUTO DOSING INTERFACE READY



**TITAN-C
WASHER**

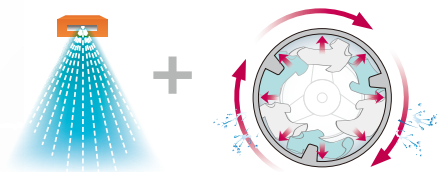
INVERTER DIRECT DRIVE™

Unlike the traditional belt and pulley system, the LG commercial laundry drum is directly attached to the motor providing superior durability and reliability. Fewer parts equals fewer repairs.



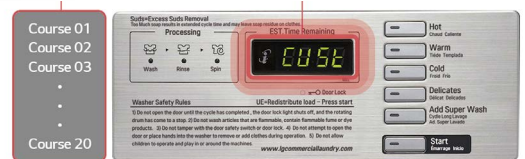
ATOMIZING SYSTEM

The Atomizing nozzle sprays fresh water onto the clothes and the door. This helps produce a rapid fill so clothes are soaked sooner and longer providing a better washing performance. It also cleans the door glass every time the water sprays on it, reducing your burden of cleaning any excess soap residue.



CUSTOMIZED CYCLES

Users can design their own cycles, selecting washing time, rinse time, water level, etc. and save up to 20 wash cycles to provide optimized washing performance.



MULTI HEAT TREATMENT

To ensure superior performance LG heat treats the shaft which connects our drums and motors. This protects against gradual wear and tear.



PUMP / GRAVITY DRAIN AVAILABLE

You can choose the suitable drain type for your site.

TITAN-C WASHER SPECIFICATIONS

		Non-Heater TCW2013*** / FH0C7FD**	Heater FH0C7FD3S
--	--	--------------------------------------	---------------------

CYLINDER

Drum Volume	cu.ft (℥)	5.2 (147)	5.2 (147)
Diameter	in. (mm)	24 (610.8)	24 (610.8)
Depth	in. (mm)	20.4 (518.1)	20.4 (518.1)

DIMENSIONS

Product (WxHxD)	in	29 x 40.8 x 32	29 x 40.8 x 32
	mm	737 x 1,036 x 814	737 x 1,036 x 814
With Door Open	in. (mm)	53 (1,370)	53 (1,370)
Carton (WxHxD)	in	31 x 44.3 x 33.3	31 x 44.3 x 33.3
	mm	788 x 1,125 x 846	788 x 1,125 x 846
Weight (Product/Carton)	lb (kg)	221.8 (100.6) / 248 (112.5)	221.8 (100.6) / 248 (112.5)

SPEED

Wash	RPM	46	46
Extract (High Speed)	RPM	980	980
G-force	G	327	327

RATING

Electric Ratings	V/Hz/A	120/60/5	220-240/50/14-17
		220-240/50/5	
		220/60/5	

*CONSUMPTION INDEX¹⁾

Water	gal (l)	15.6(59)	12.4(47)
Electricity	kW/hour	0.5	3.2-3.8

NOISE & CYCLE TIME

Noise Level (Sound Power)	dB	Lower than 62	Lower than 62
Program Duration in Minutes (Default)	min	37	59

SYSTEM & CONTROL

Inverter Direct Drive Motor		O	O
Heating Element	W	120V 1,000 (Only for Tub Clean) 220V 2,000 (Only for Tub Clean)	3,200
Drain System		Gravity Drain/Pump Drain* (NA Only)	Gravity Drain
Emergency Stop Button		O (OPL Only)	O (OPL Only)
Auto Dosing Interface		O	O
Damper		4 Friction Dampers	4 Friction Dampers

PROGRAMS

Program List	Hot	90°C
	Warm	75°C
	Cold	60°C
	Delicates	40°C/30°C
	Add Super Wash (Card & Coin)/ Custom PGM (OPL)	Cold * Custom PGM ²⁾

EXTERNAL FINISH

Drum	Stainless Steel	Stainless Steel
------	-----------------	-----------------

CIRCUIT PROTECTION

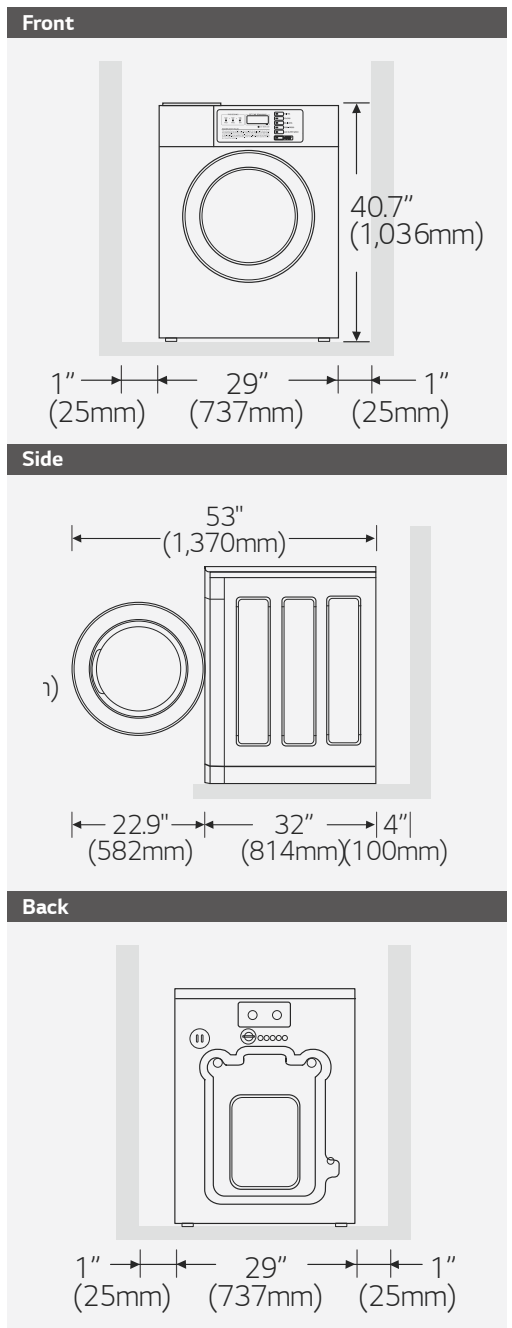
PCB Fuse - Main Control Board	amps	12 (220-240V)	12 (220-240V)
PCB Fuse - Filter Assembly	amps	15	15

* Dimensions and weights are approximate. * Design, features and specifications subject to change without notice.

* Some models may not be available for sale in certain countries. * Model name may vary by country.

1) Without loading / Default water level (Non heater / Heater) : High / Mid

2) When you press button for 3 seconds, Cold cycle will be changed to Custom PGM. (Cold for coin model, Custom PGM for OPL model)



PRODUCT IMAGE



Coin Type

Card Type

OPL Type

