



# LG COMMERCIAL LAUNDRY

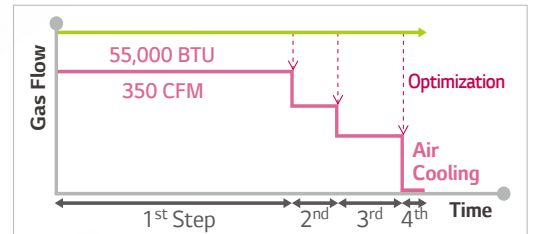
**STEEL CONTROL PANEL**  
**REVERSIBLE DRYER DOOR**  
**STACKED DRYER**



**TITAN-C  
DRYER**

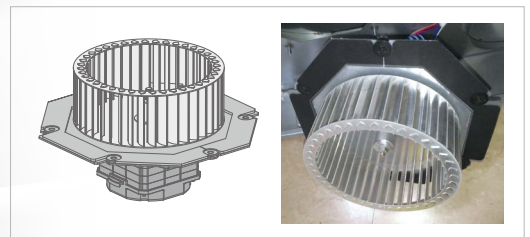
## GAS/AIR FLOW OPTIMIZATION

LG conventional dryers control air and gas flow by turning the unit ON and OFF. LG commercial dryers allocate the appropriate amount of gas and air in several phases to control air flow. This significantly increases energy efficiency.



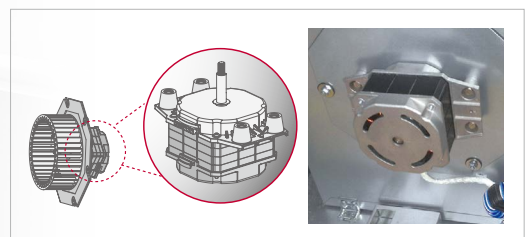
## EXCELLENT DRY PERFORMANCE

A new, wider fan increases airflow to dry clothes more quickly, which improves drying performance and energy efficiency.



## HEAVY DUTY MOTOR

LG commercial dryers also incorporate a durable motor which improves the airflow and heating system. This results in better drying performance and increased drying capacity.



## EASY PROGRAMMING

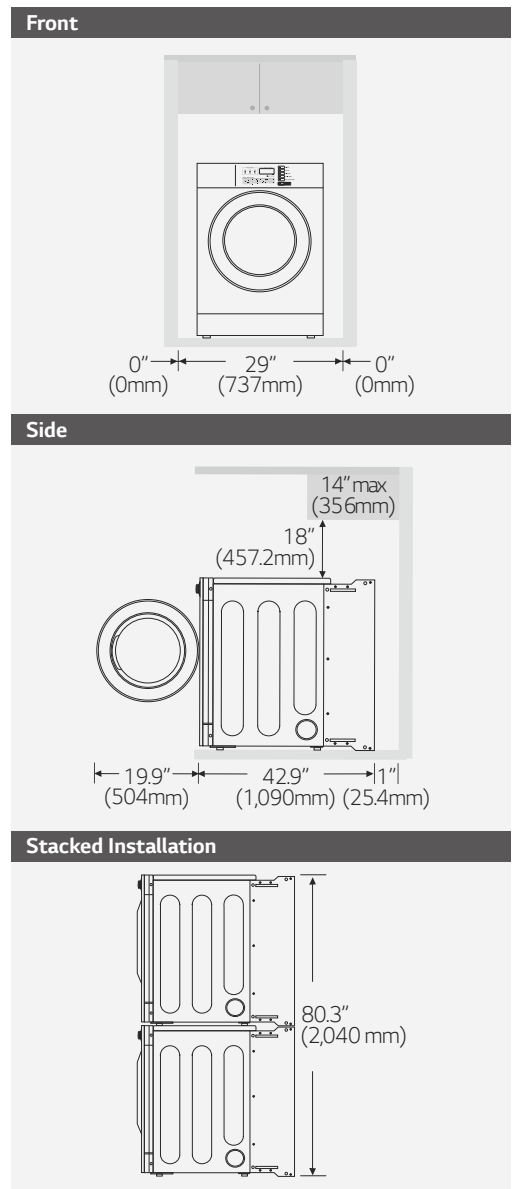
Intuitive programming controls allow operators to choose from a variety of functions and programs, including price, cycle time, cycle parameters, spin-speed and more, ensuring that all washing requirements are met.



# TITAN-C DRYER SPECIFICATIONS

		Gas
		RN1870A** / TCD1870***
<b>CYLINDER</b>		
Drum Volume	cu.ft (ℓ)	9.0 (254)
Diameter	in. (mm)	28.2 (716)
Depth	in. (mm)	24.2 (614)
<b>DIMENSIONS</b>		
Product (WxHxD)	in	29 x 40.2 x 42.9
	mm	737 x 1,022 x 1,090
With Door Open	in. (mm)	65.1 (1,655)
Carton (WxHxD)	in	Single : 30.7 x 44.7 x 44.4 Stack : 30.7 x 83.1 x 44.4
	mm	Single : 781 x 1,137 x 1,128 Stack : 781 x 2,110 x 1,128
Weight (Product/Carton)	lb (kg)	220 (100)/240 (108.8)
<b>RATING</b>		
Electric Ratings	V/Hz/A	120/60/10
<b>CONSUMPTION INDEX (PER CYCLE)</b>		
Gas	kWh	15
Electricity	W	920
<b>SYSTEM &amp; CONTROL</b>		
Heating Type		Gas (Default LNG)
Type of Drying	W	Ventilation
Air Flow	CFM	350
Drum Motor	KW	0.5 (120V/60Hz)
Fan Motor	KW	0.3
Gas Ratings	KW/BTU	16.1/ 55,000
<b>CONNECTIONS</b>		
Air Outlet Diameter	in. (mm)	6 (154)
Exhaust Airflow Diameter	in. (mm)	6 (154)
<b>PROGRAMS</b>		
Program List		High Temp
		Med Temp
		Low Temp
		No Heat
<b>EXTERNAL FINISH</b>		
Drum		Stainless steel

\* Dimensions and weights are approximate. \* Design, features and specifications subject to change without notice.  
\* Some models may not be available for sale in certain countries. \* Model name may vary by country.



## PRODUCT IMAGE



Card Stack Type

Coin Type

